



Remote Dispatching

One of the most common issues with dispatch systems is the ability to have backup or remote locations access the radio infrastructure. No matter the reason, natural or manmade, sometimes secondary or remote dispatching is required. Key to any dispatch system is network security while allowing continued operations under local or remote access.

Telex Dispatch does not typically use a server like some competitors to communicate to remote radio resources, requiring multiple handling of packets. Telex instead uses Multicast traffic for radio or I/O functions which is completed in a single IP packet stream.

Telex Dispatch systems can be setup to use the Echo function in C-Soft or NEO-10 to communicate with remote resources using UDP from Multicast as discussed in our product manuals.

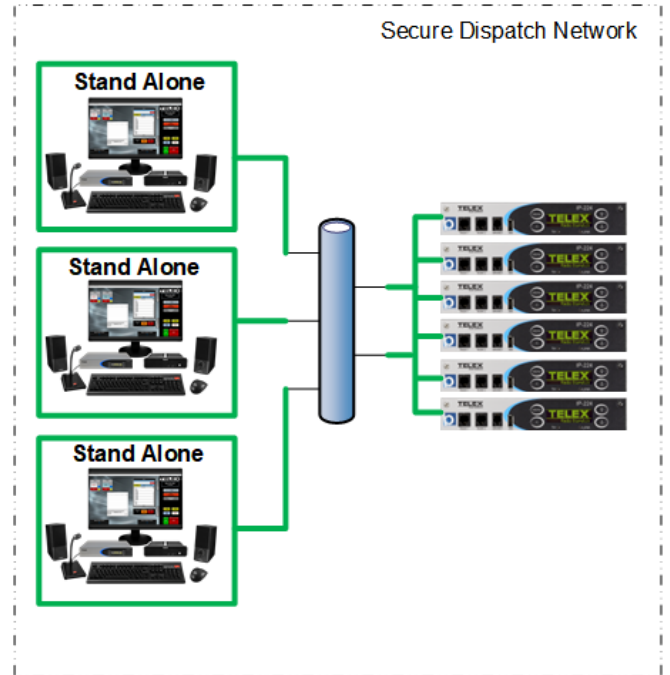


WORKS FOR YOU.

Typical Dispatch Deployment

Under normal system design consoles and radio resources are connected together on secure LAN/WAN's. In the picture to the right is an example system with 3 positions controlling a number of radio resources (IP-224).

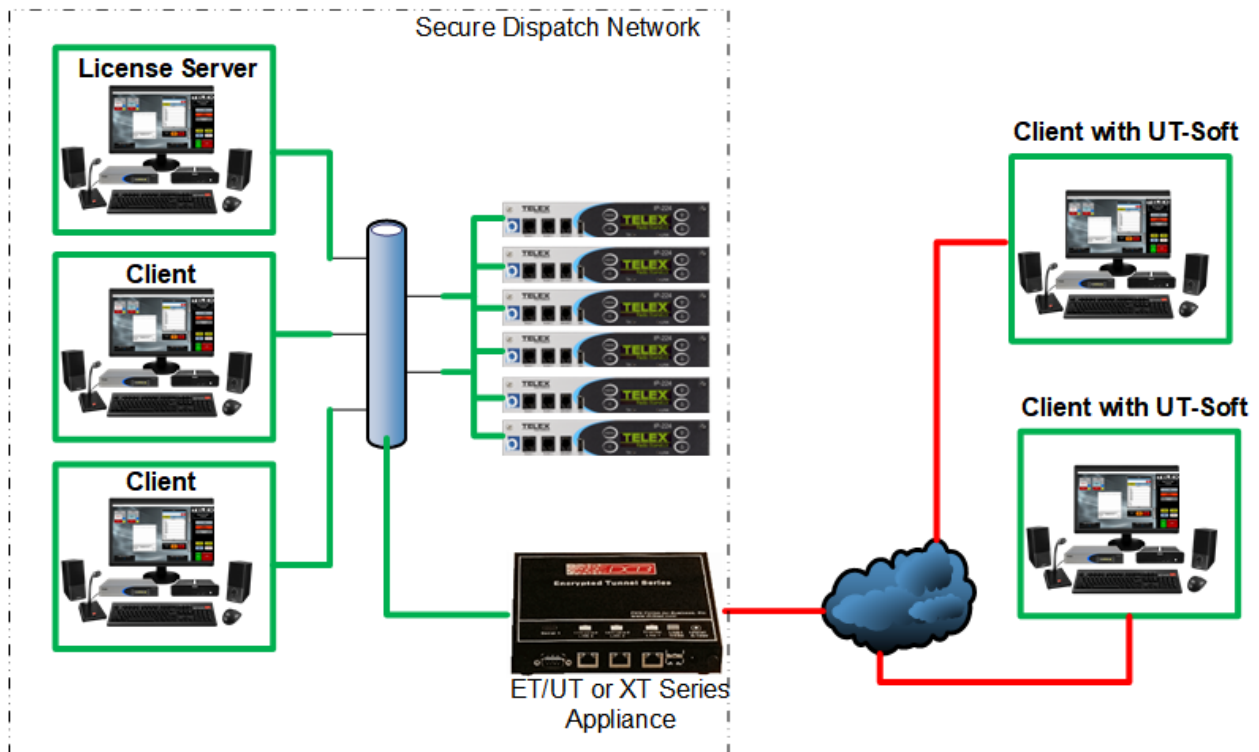
Each console has its own installed C-Soft 7 license and the system parts works independently of each other.



Remote Dispatch Deployment

C-Soft 7 licensing supports installing licenses on individual PC's or grouping them onto server PC's. C-Soft Runtime application supports querying up to two server locations for an available license. Installing licenses using the server topology allows for C-Soft to be installed on multiple PC's with the first number of positions to activate C-Soft being granted permission to activate. Setting up license server operation is discussed in the C-Soft 7 Licensing Instructions guide located here,

<https://products.telex.com/binary/CS7%20Licensing%20Instructions%20vF.pdf>



In the previous picture, we have added an Encrypted-tunneling product from DCB-Data Comm for Business https://www.dcbnet.com/products_secure.html . Using the ET, UT or XT series appliance attached to the secure dispatch network (Green) acting as a connection server for remote clients running UT-Soft on PC's running C-Soft.

Remote PC's connect to local untrusted networks (Red), launch UT-Soft making encrypted tunnels back to the trusted dispatch network via the ET, UT or XT series appliance and then start C-Soft allowing secure communications. Additional use cases can be found at this link https://www.dcbnet.com/notes/dispatch_XT.pdf

Telex Dispatch does not resell DCB-Data Comm for Business products, please contact them directly for pricing and availability

Bosch Security Systems, Inc.
Telex Radio Dispatch Products
Email: telexdispatch@us.bosch.com

Visit www.telex.com/radiodispatch for more information

Rev1, 3/20